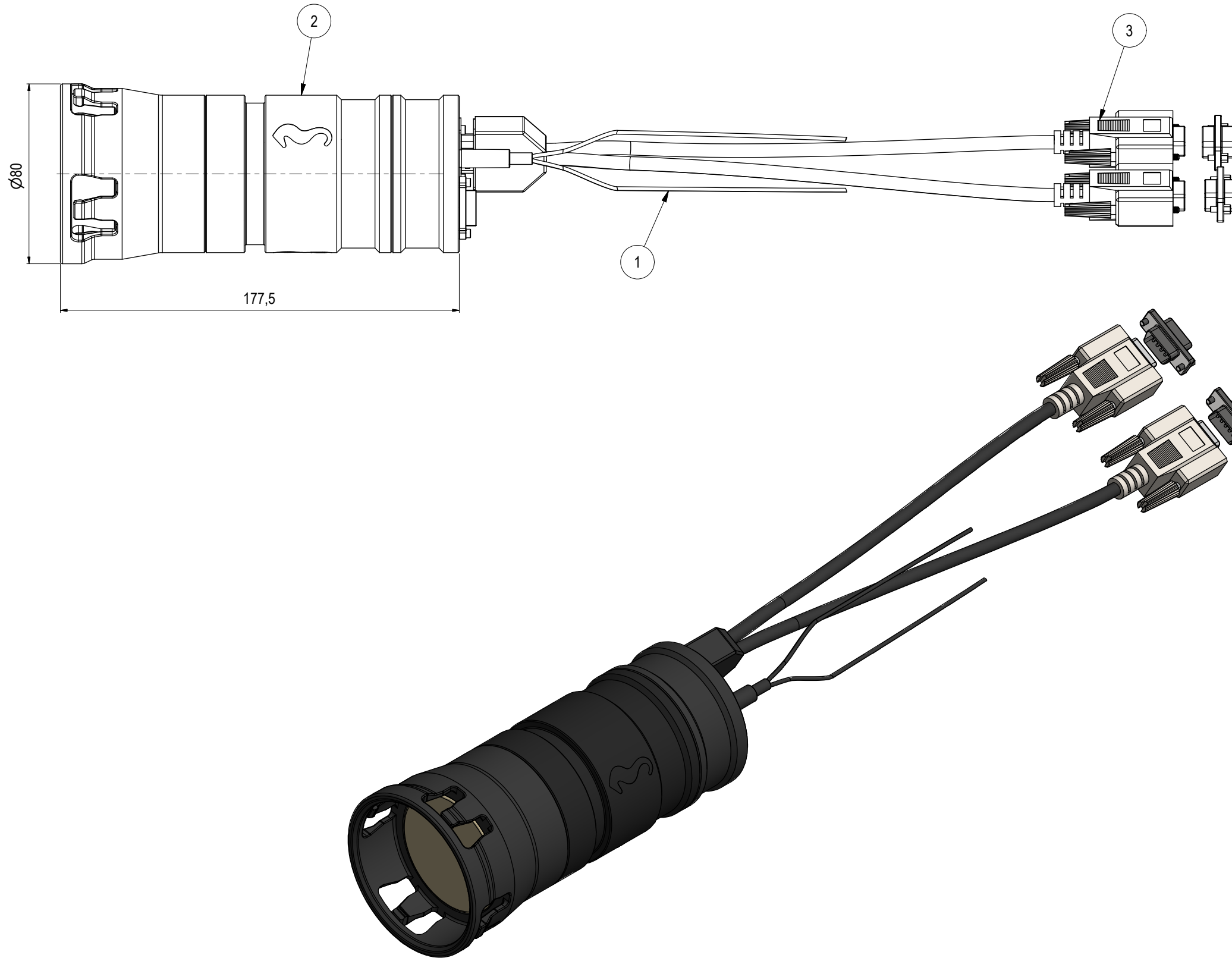


Parts List					
ITEM	QTY	PART No.	TITLE	WebLink	
1	1	BC0046	Power Cable Pri Side	N/A	
2	1	BB9047	USB-A 50W Primary Test Unit	<a href="http://e-sea.bluelogic.no/main.aspx?page=article&amp;artno=BA6047">http://e-sea.bluelogic.no/main.aspx?page=article&amp;artno=BA6047</a>	
3	1	BB8896	Cable RS232/RS485	N/A	



NOTE: 1  
DESIGN CODE:  
N/A

NOTE: 2  
TECHNICAL CLASSIFICATION:  
Article Type: 006-EI. Connectors  
Main Group: 6.01. Subsea USB  
Intermediate Group: 18.190.01. USB-A  
Sub Group: 6.28.95.01. Male Connector

NOTE: 3  
INTERFACE INFORMATION:  
Pressure Rating Bar: N/A  
Design Water Depth: N/A  
Material: Long-term  
Weight: 0,7 kg  
Volume: 0,45 dm<sup>3</sup>  
Submerged Weight: 0,19 kg  
Surface Area: 2715 cm<sup>2</sup>  
Hydraulic: N/A  
Mechanical: N/A  
Electrical: N/A  
Com. & Protocol: N/A

NOTE: 4  
OPERATION & MAINTENANCE INFORMATION:  
600128-TD-0020

NOTE: 5  
ADDITIONAL INFORMATION:  
Power cable for BB2332, Secondary Side Test Connector. Complete with DC power plug for connection to Test Connector. Cable consists of 2 separate AWG18 cables with pigtail to suit any connection to power supply. Total cable length 3m.

Communication cable for BB2332, Secondary Side Test Connector. Complete with D-Sub connector for connection to Test Connector. Two separate cables with female socket connector of type DE-9 for RS232 and RS485 communication. Total cable length 3m.

09	5.7.2023	9-IFU (Issued for Use)		WTJ	ERO	WTJ
08	25.4.2023	9-IFU (Issued for Use)		WTJ	RAN	TGU
07	1.12.2022	9-IFU (Issued for Use)		WTJ	LGH	WTJ
06	16.11.2022	9-IFU (Issued for Use)		WTJ	SEA	WTJ
Rev.	Date	Reason for issue	Revision change	Made	Chk'd	Appr.



Dwg Scale:  
NTS  
Dwg Proj:  
Dwg Format:  
A3

Drawing title:  
USB-A 50W Primary Test Unit wCables

Drawing number:  
BB2336

Rev.  
09